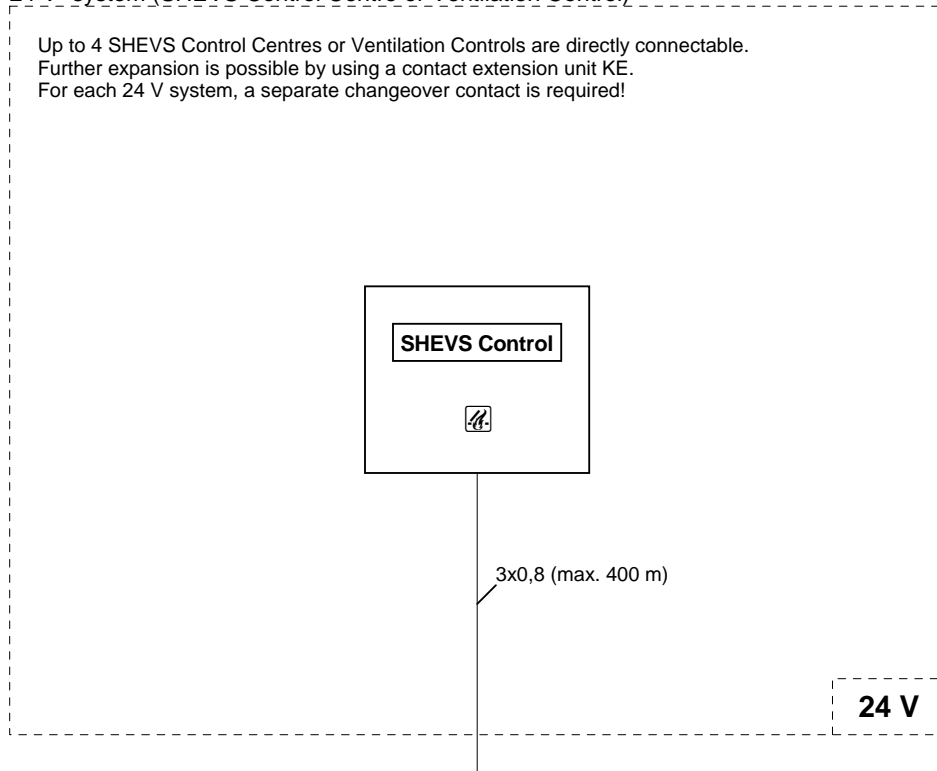


Wind and Rain Control WRS 2b

System diagram (please consider local conditions / components)

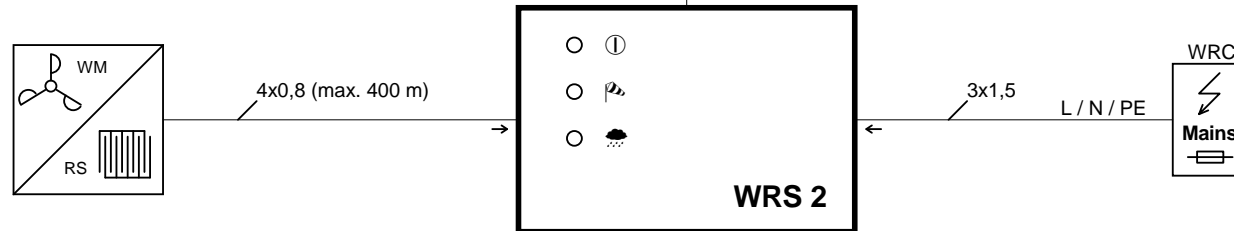
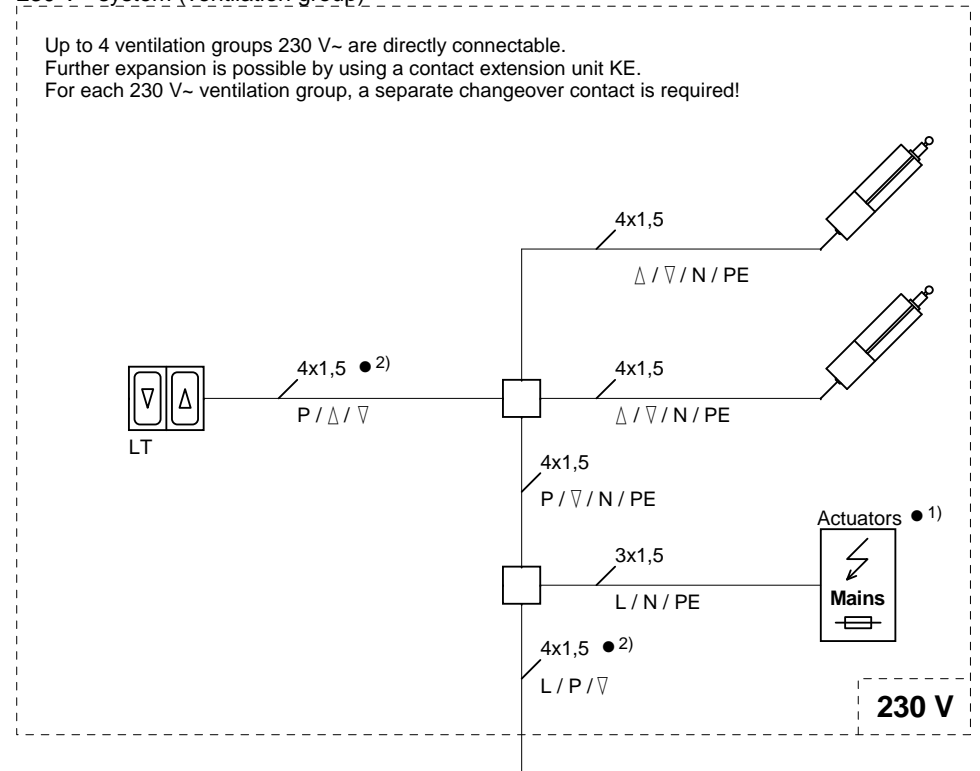
24 V- system (SHEVS Control Centre or Ventilation Control)

Up to 4 SHEVS Control Centres or Ventilation Controls are directly connectable.
Further expansion is possible by using a contact extension unit KE.
For each 24 V system, a separate changeover contact is required!




230 V~ system (ventilation group)

Up to 4 ventilation groups 230 V~ are directly connectable.
Further expansion is possible by using a contact extension unit KE.
For each 230 V~ ventilation group, a separate changeover contact is required!



- 1) The actuators can be powered through the mains output terminals of the WRC. Load rating max. 5A!
- 2) PE not used

 When using separate contacts the Wind and Rain Control (WRC) can be used also for simultaneous actuation of 24 V- and 230 V~ systems.

General: length of cable max. 200 m, if not specified otherwise.